

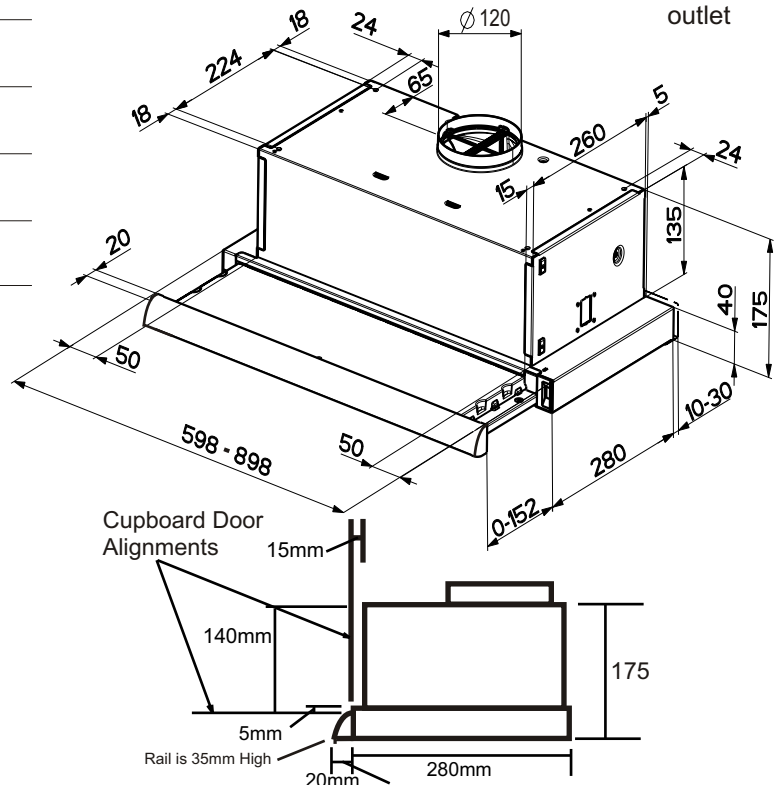
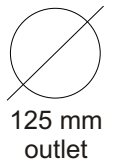


MODEL : SLN3 SS SERIES

SPECIFICATIONS

MOTORS	1
SPEED	3
AIRFLOW	530 m/3h
MOTOR ABSORPTION	125 Watts
LIGHTS INCANDESCENT	2 X 40 Watts
NOISE LEVEL	62 (dB)
DUCT SIZE	125 mm Dia

- * Stainless Steel Front Rail
- * Aluminium filters (Dishwasher Safe)
- * Twin Incandescent Lights
- * 600 and 900 mm slideout Hood



ACCESSORIES

- Carbon Filters F-C 18(1 pair)

LEEMAC APPLIANCES
 U28 / 14 - 16 STANTON ROAD
 SEVEN HILLS NSW 2147
 AUSTRALIA
 PH - 02 9674 9955
 FAX - 02 9674 9055

Email-pezooffice@leemac.com.au Web-www.leemac.com.au