

# Leemac

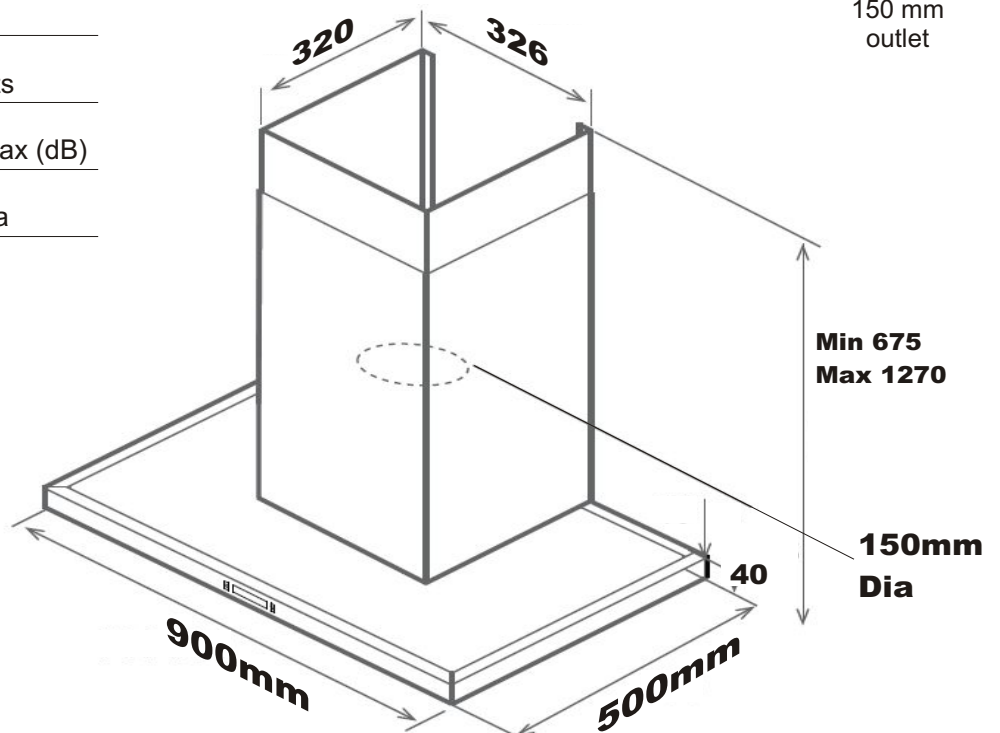
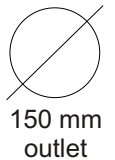


## MODEL : CH-VORTEX

### SPECIFICATIONS

|                  |                       |
|------------------|-----------------------|
| SPEED            | 3                     |
| AIRFLOW          | 900 m <sup>3</sup> /h |
| MOTOR ABSORPTION | 290 Watts             |
| LIGHTS HALOGEN   | 2 X 20 Watts          |
| NOISE LEVEL      | 35 min 50 max (dB)    |
| DUCT SIZE        | 150 mm Dia            |

- \* Stainless Steel
- \* Aluminium Cylindrical filter (Dishwasher Safe)
- \* TwinHalogen Lights
- \* Drop out Motor
- \* 900 mm wide only



PH - 02 9674 9955  
FAX - 02 9674 9055  
Email-pezooffice@leemac.com.au Web-www.leemac.com.au

LEEMAC APPLIANCES  
U28 / 14 - 16 STANTON ROAD  
SEVEN HILLS NSW 2147  
AUSTRALIA